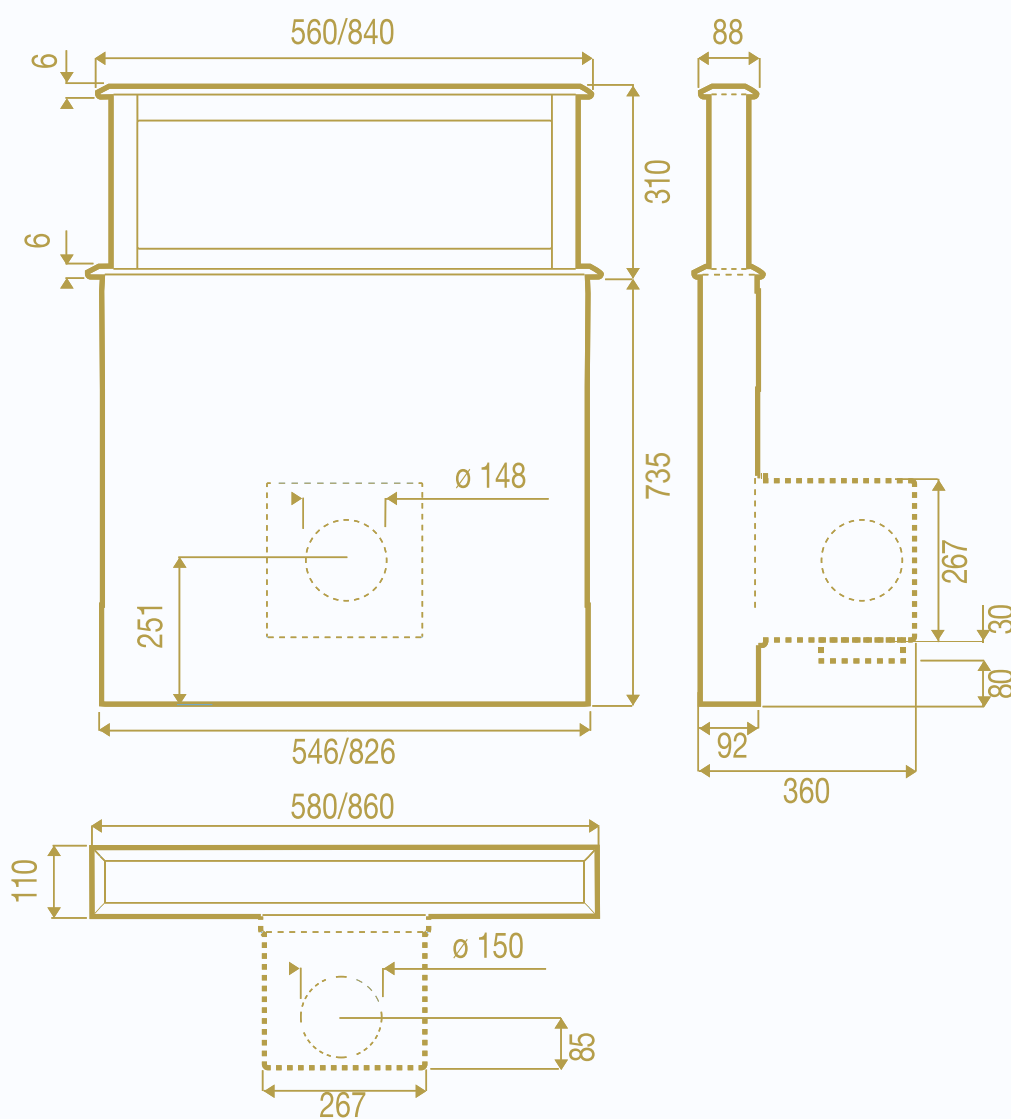


Lift**



**Please note: On Downdraft models (including motor) the motor can be rotated so that the ducting outlet can be used top, bottom or either side of the motor to facilitate installation.